

GERMANIUM POWER TRANSISTORS

Type Number	Case Type	V_{CRO} V	V_{CEO} V	V_{EBO} V	V_{CER} V	V_{CES} V	CURRENT GAIN				SATURATION VOLTAGES				θ_{J-C} °C/W
							Min.	h_{FE}	Max.	$V_{CE} @ I_C$ V	$I_C @ I_B$ A	$V_{CE(s)}$ V	$V_{BE(s)}$ V	$I_C @ I_B$ A	

6 AMP GERMANIUM PNP (Cont.)

2N1137B	TO-3	100	65	15.0	75		75	150	5.0	3.0	1.0		3.0	.300	1.20
2N1138	TO-3	60	25	15.0	35		100	200	5.0	3.0	1.0		3.0	.300	1.20
2N1138A	TO-3	90	55	15.0	65		100	200	5.0	3.0	1.0		3.0	.300	1.20
2N1138B	TO-3	100	65	15.0	75		100	200	5.0	3.0	1.0		3.0	.300	1.20

7 AMP GERMANIUM PNP

2N250A	TO-3	40		20.0			25	100	1.5	3.0	.70	1.00	3.0	.150	.80
2N251A	TO-3	60		20.0			25	100	1.5	3.0	.70	1.00	3.0	.150	.80
2N456	TO-3	40		20.0			10		1.5	5.0	.50		5.0	.500	.50
2N456A	TO-3	40	20	20.0			30	90	1.5	5.0	.50		5.0	.500	.50
2N456B	TO-3	40		30.0		50	30	90	1.5	5.0	.50		5.0	.500	.50
2N457	TO-3	60		20.0			10		1.5	5.0	.50		5.0	.500	.50
2N457A	TO-3	60	30	20.0			30	90	1.5	5.0	.50		5.0	.500	.50
2N457B	TO-3	60		30.0		60	30	90	1.5	5.0	.50		5.0	.500	.50
2N458	TO-3	80		20.0			10		1.5	5.0	.50		5.0	.500	.50
2N458A	TO-3	80	40	20.0			30	90	1.5	5.0	.50		5.0	.500	.50
2N458B	TO-3	80		30.0		65	30	90	1.5	5.0	.50		5.0	.500	.50
2N637	TO-3	60		15.0	35		30	60	5.0	3.0	.80		3.0	.300	1.50
2N637A	TO-3	90		15.0	65		30	60	5.0	3.0	.80		3.0	.300	1.50
2N637B	TO-3	100		15.0	75		30	60	5.0	3.0	.80		3.0	.300	1.50
2N638	TO-3	60		15.0	35		20	40	5.0	3.0	.15		3.0	.300	2.00
2N638A	TO-3	90		15.0	65		20	40	5.0	3.0	.15		3.0	.300	2.00
2N638B	TO-3	100		15.0	75		20	40	5.0	3.0	.15		3.0	.300	2.00
2N1021	TO-3	100		20.0			100	30	90	1.5	5.0	.50	5.0	.500	.50
2N1021A	TO-3	100	50	30.0			70	30	90	1.5	5.0	.50	5.0	.500	.50
2N1022	TO-3	120		20.0			120	30	90	1.5	5.0	.50	5.0	.500	.50
2N1022A	TO-3	120	55	30.0		75	30	90	2.0	5.0	.50		5.0	.500	.50
2N1160	TO-3	80	60	20.0			20	50	2.0	5.0	1.00		5.0	.500	1.20
2N3611	TO-3	40		20.0			30	35	70	2.0	.25		3.0	.300	.90
2N3612	TO-3	60		30.0			45	35	70	2.0	.25		3.0	.300	.90
2N3613	TO-3	40		20.0			30	60	120	2.0	.25		3.0	.300	.90
2N3614	TO-3	60		30.0	45		60	120	2.0	3.0	.25		3.0	.300	.90
2N3615	TO-3	80		40.0	60		30	60	2.0	3.0	.25		3.0	.300	.90
2N3616	TO-3	100		50.0	75		30	60	2.0	3.0	.25		3.0	.300	.90
2N3617	TO-3	80		40.0	60		45	90	2.0	3.0	.25		3.0	.300	.90
2N3618	TO-3	100		50.0	75		45	90	2.0	3.0	.25		3.0	.300	.90

Type Number	Case Type	$V_{CRO(max)}$ V	V_{EBO} V	h_{FE} @ I_C/V_{CE} (Min-Max @A/V)	$V_{CE(s)}$ @ I_C/I_B (V@A/A)	V_{BE} @ I_C/V_{CE} (V@A/V)	I_{CEV} @ V_{CE} (mA@V)	$P_D @ T_C = 25^\circ C$ (watts)	θ_{JC} (°C/W)	$T_{J(max)}$ (°C)	f_T (KHz)
-------------	-----------	---------------------	----------------	---	---------------------------------------	---------------------------------------	-----------------------------------	-------------------------------------	-------------------------	----------------------	----------------

7 AMP GERMANIUM PNP

2N5887	TO-66	15	20	20-350@.5/2	.4@7/1.4	1.2@7/2	5@20	57	1.5	110	250
2N5888	TO-66	25	20	15-350@.5/2	.4@7/1.4	1.2@7/2	5@30	57	1.5	110	250
2N5889	TO-66	25	20	30-70@.5/2	.4@7/1.4	1.2@7/2	5@30	57	1.5	110	250
2N5890	TO-66	35	20	30-70@.5/2	.4@7/1.4	1.2@7/2	5@45	57	1.5	110	250
2N5891	TO-66	45	20	30-70@.5/2	.4@7/1.4	1.2@7/2	5@60	57	1.5	110	250
2N5892	TO-66	60	20	30-70@.5/2	.4@7/1.4	1.2@7/2	5@75	57	1.5	110	250
2N5893	TO-66	25	0	60-120@.5/2	.4@7/1.4	1.2@7/2	5@30	57	1.5	110	250
2N5894	TO-66	35	20	60-120@.5/2	.4@7/1.4	1.2@7/2	5@45	57	1.5	110	250
2N5895	TO-66	45	20	60-120@.5/2	.4@7/1.4	1.2@7/2	5@60	57	1.5	110	250
2N5896	TO-66	60	20	60-120@.5/2	.4@7/1.4	1.2@7/2	5@75	57	1.5	110	250
2N5897	TO-66	25	20	100-200@.5/2	.4@7/1.4	1.2@7/2	5@30	57	1.5	110	250
2N5898	TO-66	35	20	100-200@.5/2	.4@7/1.4	1.2@7/2	5@45	57	1.5	110	250
2N5899	TO-66	45	20	100-200@.5/2	.4@7/1.4	1.2@7/2	5@60	57	1.5	110	250
2N5900	TO-66	60	20	100-200@.5/2	.4@7/1.4	1.2@7/2	5@75	57	1.5	110	250
2N5901	TO-66	25	20	175-350@.5/2	.4@7/1.4	1.2@7/2	5@30	57	1.5	110	250

Type Number	Case Type	V_{CRO} V	V_{CEO} V	V_{EBO} V	V_{CER} V	V_{CES} V	Min.	h_{FE}	Max.	$V_{CE} @ I_C$ V	A	$V_{CE(s)}$ V	$V_{BE(s)}$ V	$I_C @ I_B$ A	$I_C @ I_B$ A	θ_{J-C} °C/W
-------------	-----------	----------------	----------------	----------------	----------------	----------------	------	----------	------	---------------------	---	------------------	------------------	------------------	------------------	------------------------

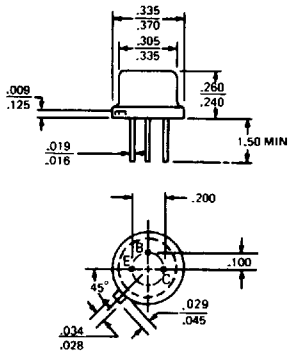
10 AMP GERMANIUM PNP

DA3F3	MT-7	60	35				25	9	22	2.0	10.0			1.0	2.000	.40
2N574	MT-7	60	55				55	9	22	2.0	10.0	.20		1.0	2.000	.40
2N574A	MT-7	80	60				70	9	22	2.0	10.0	.20		1.0	2.000	.40
2N627	TO-3	40		20.0			30	10	30	2.0	10.0	1.00		10.0	1.000	.80
2N628	TO-3	60		30.0			45	10	30	2.0	10.0	1.00		10.0	1.000	.80

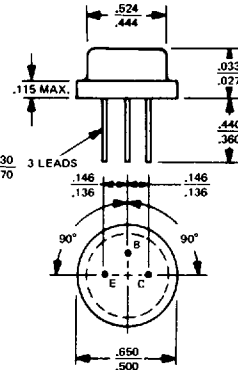
GERMANIUM POWER TRANSISTORS

CASE OUTLINE DRAWINGS & DIMENSIONS

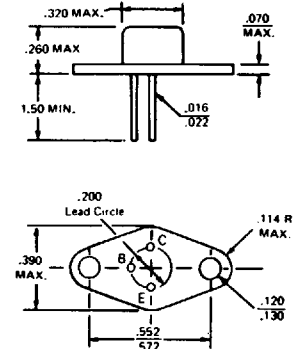
TO-5



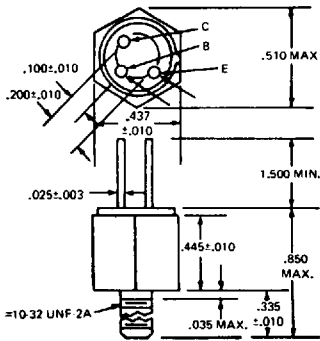
TO-8



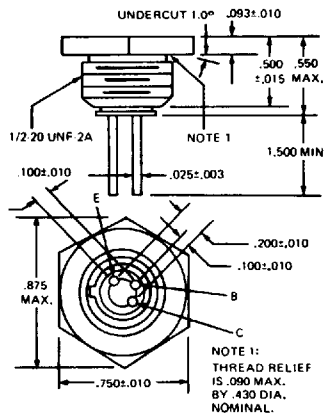
TO-37



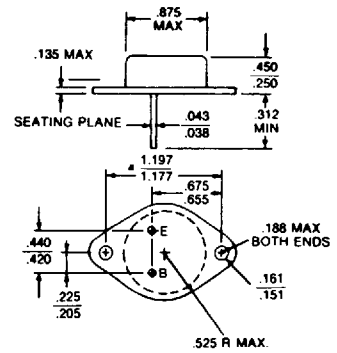
MT-27



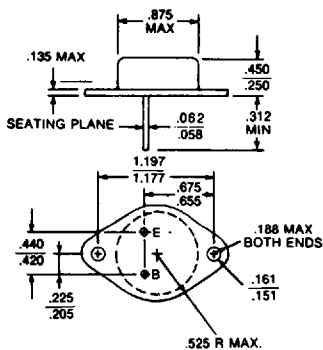
MT-28



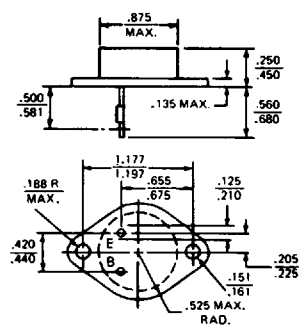
TO-3



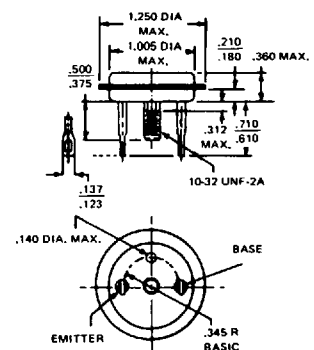
MODIFIED TO-3
(60 mil pins)



TO-41



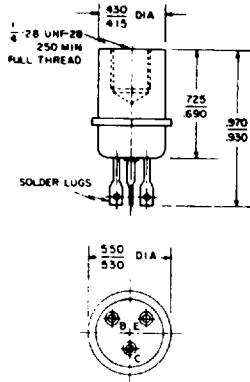
TO-36



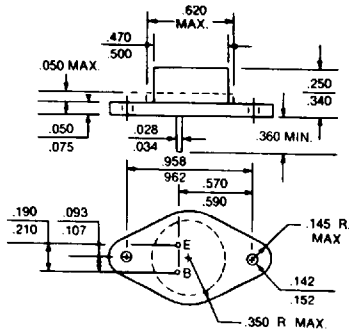
GERMANIUM POWER TRANSISTORS

CASE OUTLINE DRAWINGS & DIMENSIONS

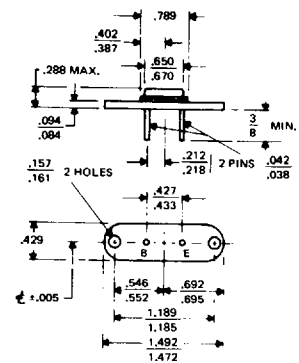
TO-13



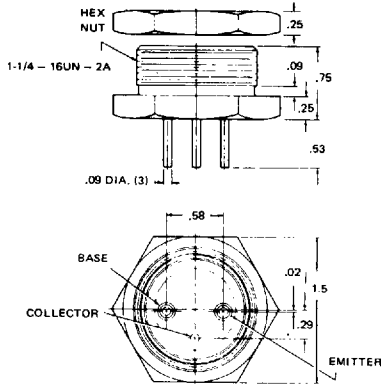
TO-66



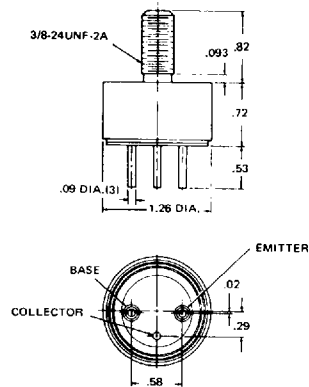
MS-7



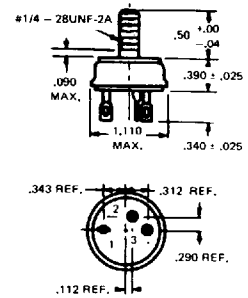
MT-22



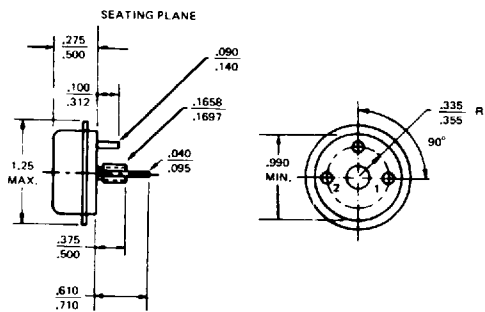
MT-23



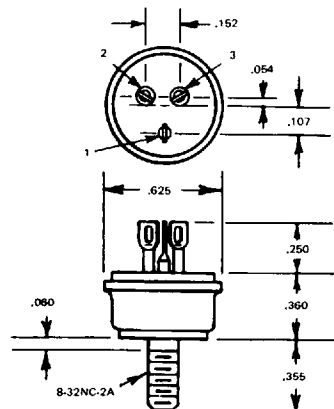
MT-7



TO-68



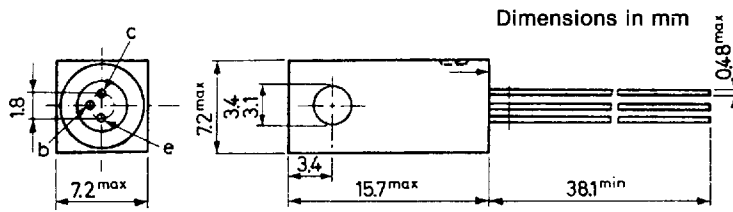
MT-36



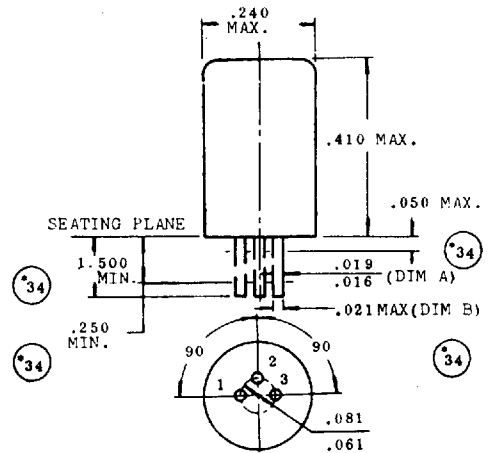
GERMANIUM POWER TRANSISTORS

CASE OUTLINE DRAWINGS & DIMENSIONS

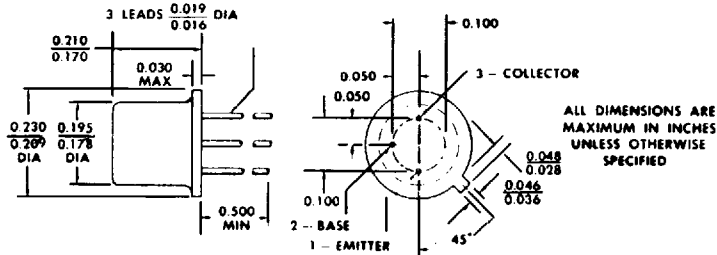
NS257



TO-1



TO-18



THE COLLECTOR IS ELECTRICAL CONTACT WITH THE CASE.

ALL JEDEC TO-18 DIMENSIONS AND NOTES ARE APPLICABLE.



GERMANIUM POWER DEVICES CORP.

300 Brickstone Square · York Street · P.O. Box 3065
Shawsheen Village Station · Andover, Massachusetts 01810
Telephone (508) 475-5982 · FAX (508) 470-1512

26

Printed in U.S.A.

■ 3947375 0000689 52T ■

54134