

- 1N746AUR-1 THRU 1N759AUR-1 AVAILABLE IN JAN, JANTX AND JANTXV PER MIL-PRF-19500/127
- 1N4370AUR-1 THRU 1N4372AUR-1 AVAILABLE IN JAN, JANTX AND JANTXV PER MIL-PRF-19500/127
- LEADLESS PACKAGE FOR SURFACE MOUNT
- METALLURGICALLY BONDED

1N746AUR-1 thru 1N759AUR-1  
and  
1N4370AUR-1 thru 1N4372AUR-1  
and  
CDLL746 thru CDLL759A  
and  
CDLL4370 thru CDLL4372A

## MAXIMUM RATINGS

Operating Temperature: -65°C to +175°C  
Storage Temperature: -65°C to +175°C  
DC Power Dissipation: 500 mW @  $T_{EC} = +125^{\circ}\text{C}$   
Power Derating: 10 mW / °C above  $T_{EC} = +125^{\circ}\text{C}$   
Forward Voltage @ 200mA: 1.1 volts maximum

## ELECTRICAL CHARACTERISTICS @ 25°C

CDI TYPE NUMBER	NOMINAL ZENER VOLTAGE	ZENER TEST CURRENT $I_{ZT}$	MAXIMUM ZENER IMPEDANCE $Z_{ZT}$ @ $I_{ZT}$	MAXIMUM REVERSE CURRENT		MAXIMUM ZENER CURRENT $I_{ZM}$
				$I_R$ @ $V_R$		
(NOTE 1)	$V_Z$ @ $I_{ZT}$ (NOTE 2)		(NOTE 3) $Z_{ZT}$ @ $I_{ZT}$	$\mu\text{A}$	VOLTS	
	VOLTS	mA	OHMS			mA
CDLL4370A	2.4	20	30	100	1.0	155
CDLL4371A	2.7	20	30	60	1.0	140
CDLL4372A	3.0	20	29	30	1.0	125
CDLL746A	3.3	20	28	5	1.0	120
CDLL747A	3.6	20	24	3	1.0	110
CDLL748A	3.9	20	23	2	1.0	100
CDLL749A	4.3	20	22	2	1.0	90
CDLL750A	4.7	20	19	5	1.5	85
CDLL751A	5.1	20	17	5	2.0	75
CDLL752A	5.6	20	11	5	2.5	70
CDLL753A	6.2	20	7	5	3.5	65
CDLL754A	6.8	20	5	2	4.0	60
CDLL755A	7.5	20	6	2	5.0	55
CDLL756A	8.2	20	8	1	6.0	50
CDLL757A	9.1	20	10	1	7.0	45
CDLL758A	10.0	20	17	1	8.0	40
CDLL759A	12.0	20	30	1	9.0	35

**NOTE 1** Zener voltage tolerance on "A" suffix is  $\pm 5\%$ . No Suffix denotes  $\pm 10\%$  tolerance. "C" suffix denotes  $\pm 2\%$  tolerance and "D" suffix denotes  $\pm 1\%$  tolerance.

**NOTE 2** Zener voltage is measured with the device junction in thermal equilibrium at an ambient temperature of 25°C,  $\pm 3^{\circ}\text{C}$ .

**NOTE 3** Zener impedance is derived by superimposing on  $I_{ZT}$  A 60Hz rms a.c. current equal to 10% of  $I_{ZT}$ .

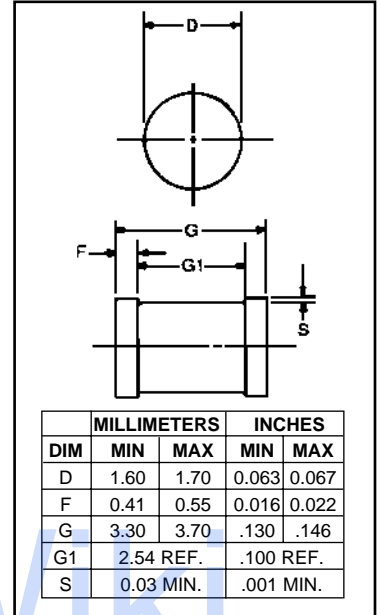


FIGURE 1

## DESIGN DATA

**CASE:** DO-213AA, Hermetically sealed glass case. (MELF, SOD-80, LL34)

**LEAD FINISH:** Tin / Lead

**THERMAL RESISTANCE:** ( $R_{\theta JEC}$ ): 100 °C/W maximum at L = 0 inch

**THERMAL IMPEDANCE:** ( $Z_{\theta JX}$ ): 25 °C/W maximum

**POLARITY:** Diode to be operated with the banded (cathode) end positive.

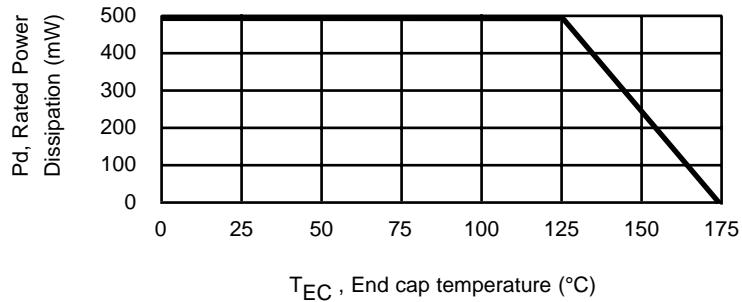
**MOUNTING POSITION:** Any.

**MOUNTING SURFACE SELECTION:** The Axial Coefficient of Expansion (COE) Of this Device is Approximately +6PPM/°C. The COE of the Mounting Surface System Should Be Selected To Provide A Suitable Match With This Device.



# CDLL746 thru CDLL759A and CDLL4370 thru CDLL4372A

FIGURE 2



POWER DERATING CURVE

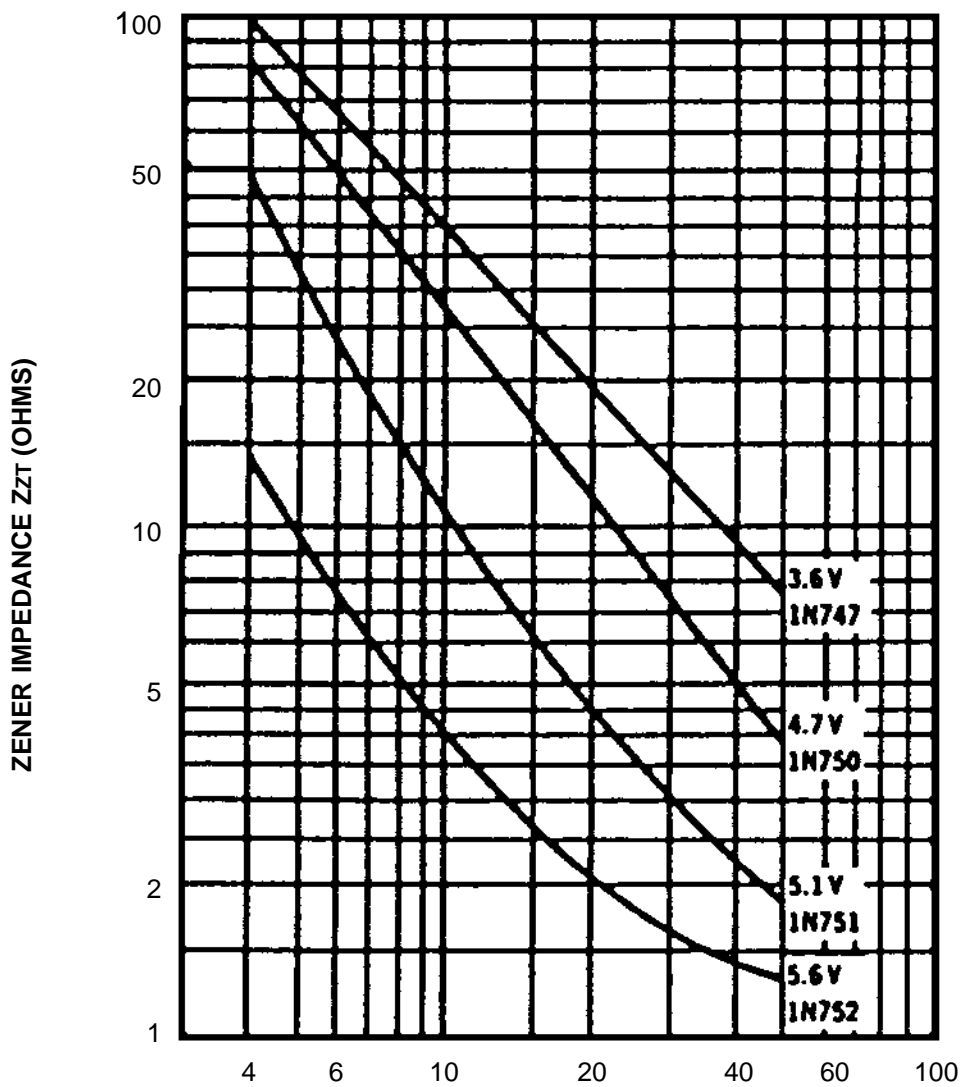


FIGURE 3  
operating current (mA)

ZENER IMPEDANCE VS. OPERATING CURRENT

# Mouser Electronics

Authorized Distributor

Click to View Pricing, Inventory, Delivery & Lifecycle Information:

## Microsemi:

[JANTXV1N746AUR-1](#) [1N4750AUR](#) [JANTX1N758AUR-1](#) [CDLL754A](#) [CDLL759A](#) [JAN1N747AUR-1](#)  
[JANTXV1N748AUR-1](#) [1N4746AUR](#) [JANTXV1N749AUR-1](#) [1N4752AUR](#) [1N4756AUR](#) [CDLL4371A](#)  
[JANTX1N754AUR-1](#) [1N4754AUR](#) [JANTX1N749AUR-1](#) [JANTXV1N750AUR-1](#) [1N4751AUR](#) [JANTX1N759AUR-1](#)  
[CDLL752](#) [CDLL750](#) [CDLL759](#) [CDLL4370A](#) [CDLL755A](#) [CDLL749](#) [1N4748AUR](#) [JAN1N758AUR-1](#)  
[JANTXV1N4371AUR-1](#) [CDLL755](#) [1N4759AUR](#) [CDLL757A](#) [CDLL4371](#) [JAN1N746AUR-1](#) [CDLL4372](#) [CDLL749A](#)  
[1N4757AUR](#) [CDLL758A](#) [CDLL751A](#) [JANTX1N751AUR-1](#) [JANTXV1N747AUR-1](#) [1N4754UR-1](#) [CDLL748A](#)  
[CDLL4370](#) [CDLL747](#) [CDLL751](#) [JANTX1N751DUR-1](#) [JANTX1N757AUR-1](#) [JANTX1N748AUR-1](#) [JAN1N749AUR-1](#)  
[CDLL746](#) [1N4749AUR](#) [JANTX1N752AUR-1](#) [CDLL752A](#) [CDLL746A](#) [1N4755AUR](#) [CDLL757](#) [CDLL753](#)  
[JANTX1N4370AUR-1](#) [CDLL756A](#) [CDLL754](#) [CDLL747A](#) [JAN1N748AUR-1](#) [JANTX1N4371AUR-1](#) [1N4753AUR](#)  
[JANTXV1N753AUR-1](#) [1N4747AUR](#) [CDLL4372A](#) [JAN1N754AUR-1](#) [JANTX1N753AUR-1](#) [JAN1N4371AUR-1](#)  
[JAN1N750AUR-1](#) [CDLL748](#) [CDLL756](#) [CDLL758](#) [JANTXV1N4370AUR-1](#) [JANTX1N747AUR-1](#) [JANTX1N750AUR-1](#)  
[JANTXV1N758AUR-1](#) [JANTXV1N756AUR-1](#) [1N4758AUR](#) [CDLL753A](#) [JANTXV1N754AUR-1](#)