

4400/7400 Series LED Panel Mount Cartridge Indicators

PICK UP NEGATIVE

Panel Mount LED Assemblies

Special Features

- NEW—High luminous intensity white and blue LEDs
- “Ultrabright” series can be used as direct replacement for relampable incandescent cartridge indicators
- Jeweled transparent stovepipe lens provides wide viewing angle
- DC voltage range 2 volts to 28 volts at a maximum current of 20mA (utilizing internal resistor)
- Special part marking available—polarity identification is standard on all assemblies

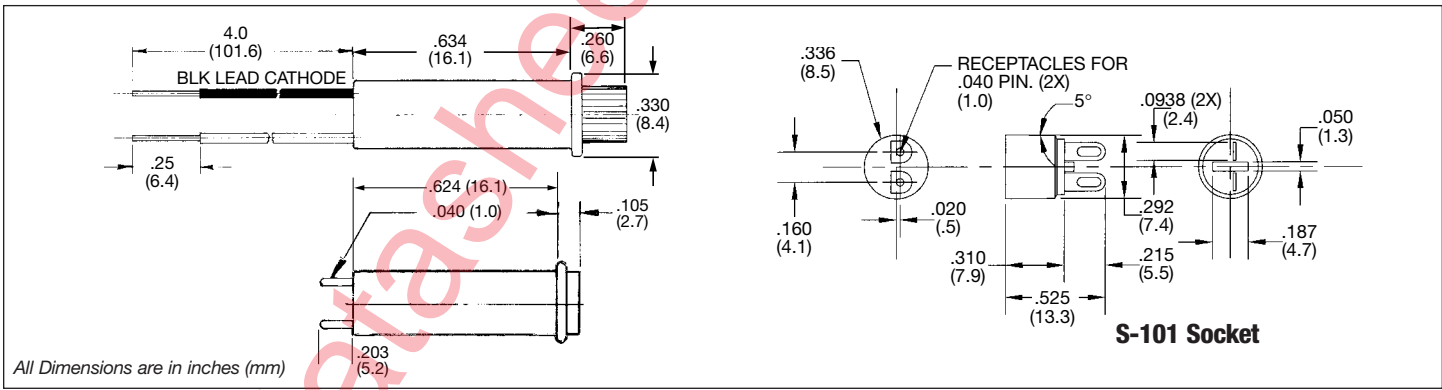
Electrical and Optical Characteristics (T_A=25°C)

LED Part#	Color	Luminous Intensity (mcd) Typ.@I _F (mA)	V _F Typ.@I _F (mA)	Viewing Angle 20° ±	Peak Wavelength (mm)	More LED Data Page#		
HIGH EFFICIENCY								
4906	Red	25.0	10	2.0	10	60°	625	24
4907	Green	10.0	10	2.2	10	60°	565	24
4908	Yellow	10.0	10	2.1	10	60°	590	24
ULTRA BRIGHT								
4909	Red	125.0	10	2.0	10	30°	625	24
4910	Green	80.0	10	2.2	10	30°	565	24
4911	Yellow	80.0	10	2.1	10	30°	590	24
3045	Blue	90.0	20	4.5	20	16°	430	30
3049	White	800.0	20	3.5	20	30°	475	30

Specifications

- Mounting Hole: Front mounts in .297" (7.54) hole with barrel fastener
- Termination:
 - 22 AWG 4" color coded leads stripped to 1/4" standard (other lead lengths available)
 - Stainless steel polarized bi-pins available
- Aluminum body available in bright clear and black anodized finish—internally insulated
- Lens material of butyrate plastic available in blue, red, green, amber and clear
- Sockets available for bi-pin assemblies

Package Dimensions



Resistor Chart

OPERATING SPECIFICATIONS			
Resistor Value Code	Voltage	Current (mA)	Internal Resistor (Ohms)
001	2	10 or 20	None
002	5	10	330
003	6	10	390
004	10	10	820
005	12	10	1000
006	15	10	1300
007	28	10	2700
008	5	20	150
009	6	20	200
010	10	20	430
011	12	20	510
012	15	20	680

How To Order

