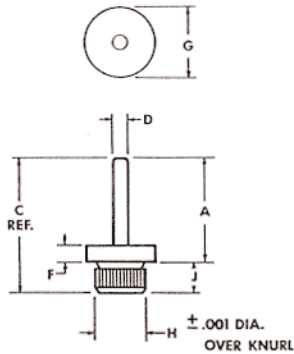
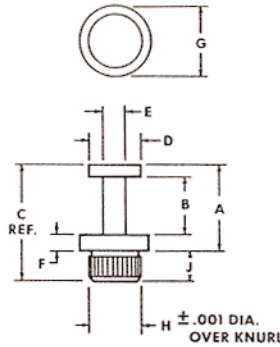




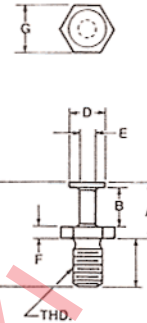
EMC® Product "NIT" Series



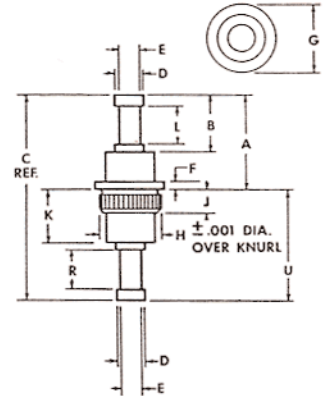
Type 22



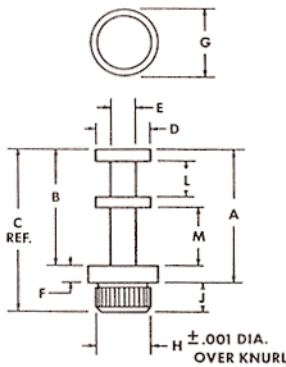
Type 66



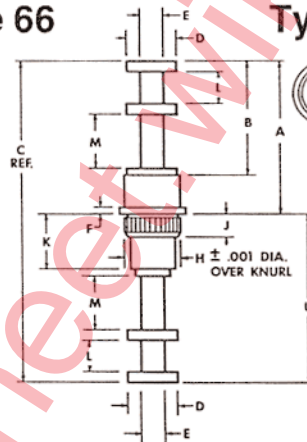
Type 66A



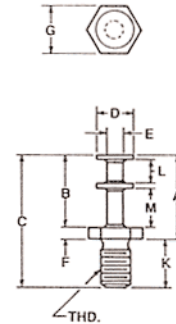
Type 27



Type 31



Type 67



Type 31A

Type	EMC Part #	A	B	C	D	E	F	G	H	J	K	L	M	U	THD.	Mtg. Hole	Mtg. Tool
22	5553-P02	.206 (5.23)	--	.281 (7.14)	.050 (1.27)	--	.047 (1.19)	.100 (2.54)	.090 (2.29)	.075 (1.91)	--	--	--	--	--	.086 (2.18)	4126
22	7826-P02	.165 (4.19)	--	.220 (5.59)	.041 (1.04)	--	.045 (1.14)	.062 (1.57)	.042 (1.07)	.055 (1.40)	--	--	--	--	--	.038 (.97)	--
66	4792-P02	.234 (5.94)	.156 (3.96)	.309 (7.85)	.145 (3.68)	.065 (1.65)	.047 (1.19)	.187 (4.75)	.140 (3.56)	.075 (1.91)	--	--	--	--	--	.136 (3.45)	2873-8
66	3409-P02	.218 (5.54)	.156 (3.96)	.363 (9.22)	.145 (3.68)	.065 (1.65)	.042 (1.07)	.165 (4.19)	.129 (.28)	.145 (1.14)	--	--	--	--	--	.125 (3.18)	2873-8
66A	3417-420	.223 (5.66)	.156 (3.96)	.411 (10.44)	.145 (3.68)	.065 (1.65)	.047 (1.19)	.188 (4.78)	--	--	.250 (6.35)	--	--	--	4-40	.128 (3.25)	--
27	4063-P02	.255 (6.48)	.136 (3.45)	.550 (13.97)	.072 (1.83)	.055 (1.65)	.020 (.51)	.180 (4.57)	.164 (4.17)	.060 (1.52)	.159 (4.04)	.105 (2.67)	--	.295 (7.49)	--	.161 (4.09)	2873-4
27	4793-P02	.322 (8.18)	.207 (5.26)	.684 (17.37)	.145 (3.68)	.065 (1.65)	.020 (.51)	.180 (4.57)	.160 (4.06)	.060 (1.52)	.155 (3.94)	.156 (3.96)	--	.362 (9.19)	--	.156 (3.96)	4795
31	3133-P02	.359 (9.12)	.309 (7.85)	.434 (11.02)	.145 (3.68)	.065 (1.65)	.047 (1.19)	.187 (4.75)	.140 (3.56)	.075 (1.91)	--	.093 (2.36)	.156 (3.96)	--	--	.136 (3.45)	2873-8
31	5089-P02	.239 (6.07)	.197 (5.00)	.314 (7.98)	.094 (2.39)	.047 (1.19)	.042 (1.07)	.125 (3.18)	.097 (2.46)	.075 (1.91)	--	.063 (1.60)	.094 (2.39)	--	--	.093 (2.36)	5569
31	3408-P02	.331 (8.41)	.289 (7.34)	.476 (12.09)	.145 (3.68)	.065 (1.65)	.042 (1.07)	.165 (4.19)	.129 (3.28)	.145 (3.68)	--	.093 (2.36)	.156 (3.96)	--	--	.125 (3.18)	2873-8
31A	3415-420	.336 (8.53)	.289 (7.34)	.524 (13.31)	.145 (3.68)	.065 (1.65)	.047 (1.19)	.188 (4.78)	--	--	.250 (6.35)	.093 (2.36)	.156 (3.96)	--	4-40	.128 (3.25)	--
67	4794-P02	.447 (11.35)	.332 (8.43)	.934 (23.72)	.145 (3.68)	.065 (1.65)	.020 (.51)	.180 (4.57)	.160 (4.06)	.060 (1.52)	.155 (3.94)	.093 (2.36)	.156 (3.96)	.487 (12.37)	--	.156 (3.96)	4795

inch (mm)

Plating:

P02: 400µ" Tin over copper

P08: 30µ" Gold over silver

-420: 400µ" Tin over copper

100µ" Nickel plated nut